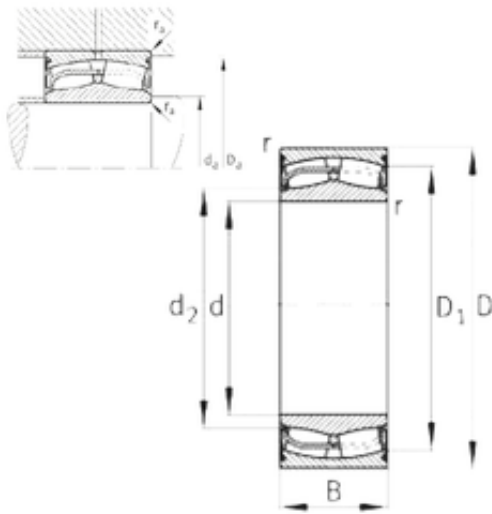




# LEDONG Machinery Co., Ltd.

## 190 mm x 320 mm x 128 mm FAG 24138-E1-2VSR-H40 spherical roller bearings



Bearing No. 24138-E1-2VSR-H40

Size	190x320x128 mm
Bore Diameter	190 mm
Outer Diameter	320 mm
Width	128 mm
d	190 mm
D	320 mm
B	128 mm
C	128 mm
d2	208 mm
r min.	3 mm
D1	292,6 mm
da min.	204 mm
Da max.	306 mm
ra max.	2,5 mm
Weight	41,5 Kg
Basic dynamic load rating (C)	1680 kN
Basic static load rating (C0)	2550 kN
Fatigue load limit (Pu)	226
Limiting speed	460 r/min
Calculation factor (e)	0,37
Calculation factor (Y0)	1,78
Calculation factor (Y1)	1,82

24138-E1-2VSR-H40 Bearing 2D drawings and 3D CAD models