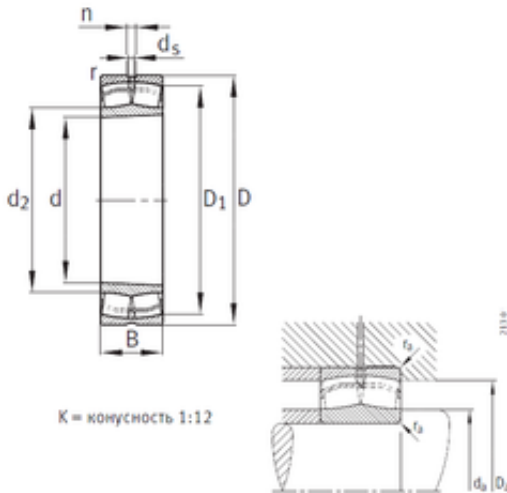




LEDONG Machinery Co., Ltd.



190 mm x 340 mm x 120 mm FAG 23238-B-K-MB spherical roller bearings

Bearing No. 23238-B-K-MB

Size	190x340x120 mm
Bore Diameter	190 mm
Outer Diameter	340 mm
Width	120 mm
d	190 mm
D	340 mm
B	120 mm
C	120 mm
n	17,7 mm
d2	– mm
r min.	4 mm
D1	291,2 mm
da min.	207 mm
Da max.	323 mm
ra max.	3 mm
d5	9,5 r/min
Weight	46 Kg
Basic dynamic load rating (C)	1560 kN
Basic static load rating (C0)	2600 kN
Fatigue load limit (Pu)	156
Reference speed	1 020 r/min
Limiting speed	1 700 r/min
Calculation factor (e)	0,36
Calculation factor (Y0)	1,82
Calculation factor (Y1)	1,86

23238-B-K-MB Bearing 2D drawings and 3D CAD models



LEDONG Machinery Co., Ltd.