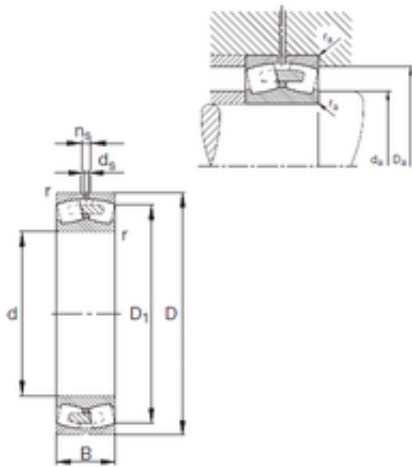




LEDONG Machinery Co., Ltd.

670 mm x 980 mm x 308 mm FAG 240/670-E1A-MB1 spherical roller bearings



Bearing No. 240/670-E1A-MB1

240/670-E1A-MB1 Bearing 2D drawings and 3D CAD models

Size	670x980x308 mm
Bore Diameter	670 mm
Outer Diameter	980 mm
Width	308 mm
d	670 mm
D	980 mm
B	308 mm
C	308 mm
n	23,5 mm
r min.	7,5 mm
D1	876,9 mm
da min.	698 mm
Da max.	952 mm
ra max.	6 mm
d5	12,5 r/min
Weight	786 Kg
Basic dynamic load rating (C)	10500 kN
Basic static load rating (C0)	21100 kN
Fatigue load limit (Pu)	1530
Reference speed	244 r/min
Limiting speed	530 r/min
Calculation factor (e)	0,28
Calculation factor (Y0)	2,34
Calculation factor (Y1)	2,39
Calculation factor (Y2)	3,56



LEDONG Machinery Co., Ltd.