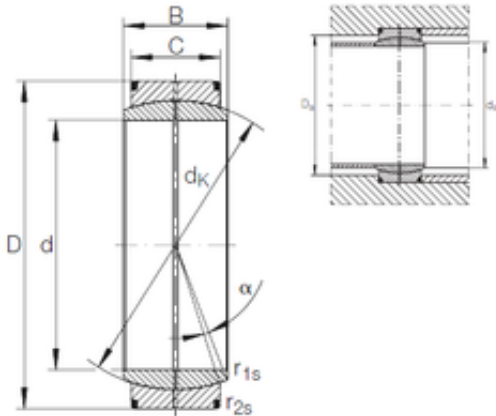




LEDONG Machinery Co., Ltd.

600 mm x 800 mm x 272 mm INA GE 600 DO plain bearings



Bearing No. GE 600 DO

Size	600x800x272 mm
Bore Diameter	600 mm
Outer Diameter	800 mm
Width	272 mm
d	600 mm
D	800 mm
B	272 mm
C	230 mm
dk	700 mm
r1 min.	2 mm
r2 min.	5 mm
da max	644,9 mm
Da min	667 mm
Angle	3,6 °
Weight	407 Kg
Basic dynamic load rating (C)	14,6 kN

GE 600 DO Bearing 2D drawings and 3D CAD models