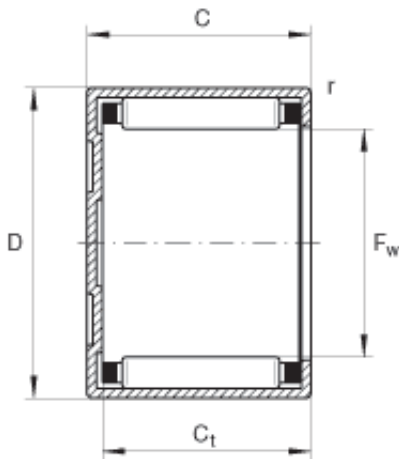




LEDONG Machinery Co., Ltd.



BK3520 Bearing 2D drawings and 3D CAD models

INA BK3520 needle roller bearings

Bearing No. BK3520

Size	35x42x20 mm
Bore Diameter	35 mm
Outer Diameter	42 mm
Width	20 mm
F_w	35 mm
D	42 mm
C - 20 mm / Tolerance: -0,3	20 mm / Tolerance: 0,3
$C_{t\min}$	17,3 mm
r_{\min}	0,8 mm
m	53 g / Weight
C_r	23800 N / Dynamic load rating (radial)
C_{0r}	46000 N / Static load rating (radial)
C_{ur}	5900 N / Fatigue limit load, radial
n_G	7500 1/min / Limiting speed
n_B	5300 1/min / Reference speed
	LR30X35X20,5 / Suitable inner ring
	IR30X35X20,5 / Suitable inner ring
Category	Needle Non Thrust Roller Bearings
Inventory	0.0
Manufacturer Name	SCHAEFFLER GROUP
Minimum Buy Quantity	N/A



LEDONG Machinery Co., Ltd.

Weight / Kilogram	0.04
EAN	4012802425017
Product Group	B04144
Rolling Element	Needle Roller Bearing
Component	Roller Assembly with Outer Ring - No Inner Ring
Enclosure	Open
Self Aligning	No
Retainer	Yes
Number of Rows of Rollers	Single Row
Separable	No
Closed End	Yes
Inch - Metric	Metric
Relubricatable	No
Thrust Bearing	No
Long Description	35MM Bore; 42MM Outside Diameter; 20MM Width; Needle Roller Bearing; Roller Assembly with Outer Ring - No Inner Ring; Open Enclosure; No Self Aligning; Retainer; Single Row of Rollers; No Separable; C
Other Features	1 Rib Outer Ring Drawn Cup Bearing Steel Cage
Category	Needle Non Thrust Roller Bearing
UNSPSC	31171512
Harmonized Tariff Code	8482.40.00.00
Noun	Bearing
Keyword String	Needle
Manufacturer URL	http://www.ina.com
Manufacturer Item Number	BK3520
Weight / LBS	0.097
Width	0.787 Inch 20 Millimeter



LEDONG Machinery Co., Ltd.

Bore	1.378 Inch 35 Millimeter
Outside Diameter	1.654 Inch 42 Millimeter