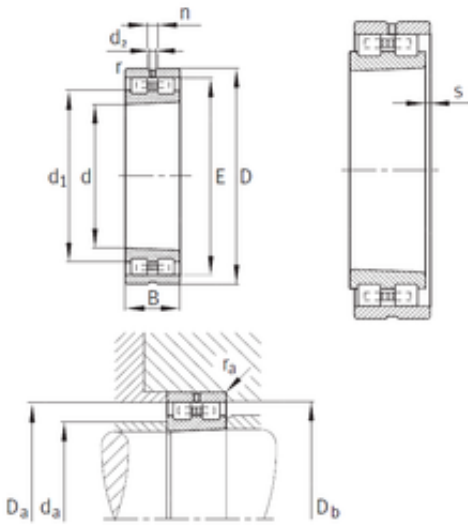




LEDONG Machinery Co., Ltd.

50 mm x 80 mm x 23 mm INA NN3010-AS-K-M-SP cylindrical roller bearings

Bearing No. NN3010-AS-K-M-SP



NN3010-AS-K-M-SP Bearing 2D drawings and 3D CAD models

Size	50x80x23 mm
Bore Diameter	50 mm
Outer Diameter	80 mm
Width	23 mm
d	50 mm
D	80 mm
E	72,5 mm
B	23 mm
C	23 mm
n	4,8 mm
d1	61,3 mm
d2	3,2 mm
r min.	1 mm
da min.	55 mm
Da max.	75 mm
Db min.	74 mm
ra max.	1 mm
S	1,7 mm
Weight	0,426 Kg
Basic dynamic load rating (C)	57 kN
Basic static load rating (C0)	80 kN
(Grease) Lubrication Speed	10 000 r/min
(Oil) Lubrication Speed	13 000 r/min