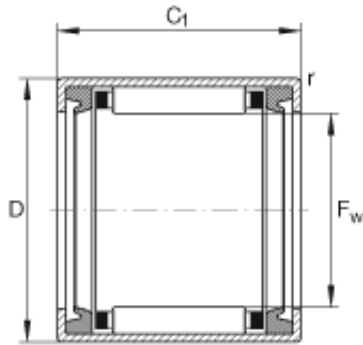




# LEDONG Machinery Co., Ltd.



## INA HK3016-2RS needle roller bearings

Bearing No. HK3016-2RS

Size	30x37x16 mm
Bore Diameter	30 mm
Outer Diameter	37 mm
Width	16 mm
$F_w$	30 mm
D	37 mm
$C_1$ - 16 mm / Tolerance: -0,3	16 mm / Tolerance: 0,3
$r_{min}$	0,8 mm
m	31 g / Weight
$C_r$	12100 N / Dynamic load rating (radial)
$C_{0r}$	18200 N / Static load rating (radial)
$C_{ur}$	2390 N / Fatigue limit load, radial
$n_{G\text{ Fett}}$	6000 1/min / Limiting speed for grease lubrication
	LR25X30X16,5 / Suitable inner ring
	IR25X30X17 / Suitable inner ring
Category	Needle Non Thrust Roller Bearings
Inventory	0.0
Manufacturer Name	SCHAEFFLER GROUP
Minimum Buy Quantity	N/A
Weight / Kilogram	0

HK3016-2RS Bearing 2D drawings and 3D CAD models



## LEDONG Machinery Co., Ltd.

EAN	4012802368758
Product Group	B04144
Rolling Element	Needle Roller Bearing
Component	Roller Assembly with Outer Ring - No Inner Ring
Enclosure	2 Seals
Self Aligning	No
Retainer	Yes
Number of Rows of Rollers	Single Row
Separable	No
Closed End	No
Inch - Metric	Metric
Relubricatable	No
Thrust Bearing	No
Long Description	30MM Bore; 37MM Outside Diameter; 16MM Width; Needle Roller Bearing; Roller Assembly with Outer Ring - No Inner Ring; 2 Seals; Not Self Aligning; Retainer; Single Row of Rollers; Not Separable; Not CI
Other Features	2 Rib Outer Ring   Drawn Cup Bearing   Steel Cage
Category	Needle Non Thrust Roller Bearing
UNSPSC	31171512
Harmonized Tariff Code	8482.99.65.30
Noun	Roller Assembly with Outer Ring
Keyword String	Bearing Needle
Manufacturer URL	<a href="http://www.ina.com">http://www.ina.com</a>
Manufacturer Item Number	HK30162RS
Weight / LBS	0.068
Width	0.63 Inch   16 Millimeter



## LEDONG Machinery Co., Ltd.

Bore	1.181 Inch   30 Millimeter
Outside Diameter	1.457 Inch   37 Millimeter