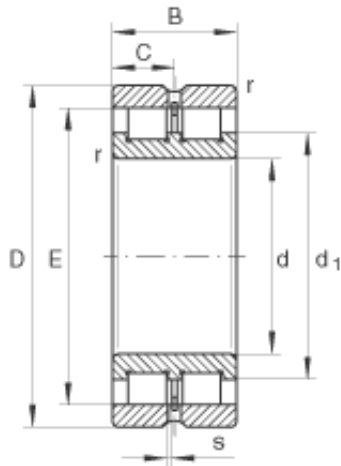




LEDONG Machinery Co., Ltd.



400 mm x 500 mm x 100 mm INA SL024880
cylindrical roller bearings

Bearing No. SL024880

SL024880 Bearing 2D drawings and 3D CAD models

Size	400x500x100 mm
Bore Diameter	400 mm
Outer Diameter	500 mm
Width	100 mm
d	400 mm
D	500 mm
B	100 mm
C	50 mm
d ₁	433,8 mm
E	470,59 mm
r _{min}	2,1 mm
s	6 mm / Axial displacement
	NNCL4880V / Designation to DIN 5412
m	45,8 kg / Weight
C _r	1350000 N / Dynamic load rating (radial)
C _{0r}	3650000 N / Static load rating (radial)
C _{ur}	370000 N / Fatigue limit load, radial
n _G	680 1/min / Limiting speed