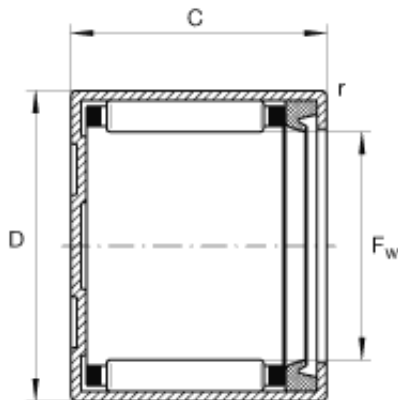




LEDONG Machinery Co., Ltd.

INA BCE1211-P needle roller bearings



Bearing No. BCE1211-P

Size	19.05x25.4x17.46 mm
Bore Diameter	19,05 mm
Outer Diameter	25,4 mm
Width	17,46 mm
F_w	3/4 inch
F_w	19,05 mm
D	1 inch
D	25,4 mm
C	0,687 inch
C	17,46 mm
m	0,049 lbs / Weight
m	22 g / Weight
C_r	2850 lbf / Dynamic load rating (radial)
C_r	12800 N / Dynamic load rating (radial)
C_{Or}	3950 lbf / Static load rating (radial)
C_{Or}	17500 N / Static load rating (radial)
n_G	13100 1/min / Limiting speed
n_B	9200 1/min / Reference speed
Category	Bearings
Inventory	0.0
Manufacturer Name	SCHAEFFLER GROUP
Minimum Buy Quantity	N/A

BCE1211-P Bearing 2D drawings and 3D CAD models



LEDONG Machinery Co., Ltd.

Weight / Kilogram	0.027
Product Group	B04144