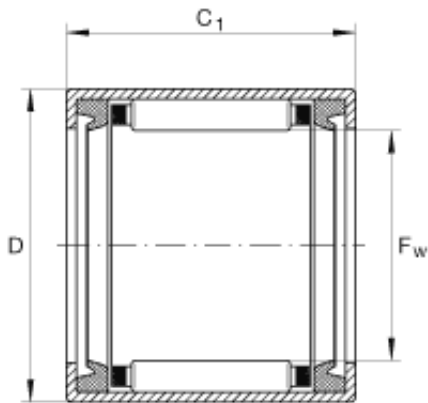




# LEDONG Machinery Co., Ltd.



## INA SCH1616-PP needle roller bearings

Bearing No. SCH1616-PP

SCH1616-PP Bearing 2D drawings and 3D CAD models

Size	25.4x33.338x25.4 mm
Bore Diameter	25,4 mm
Outer Diameter	33,338 mm
Width	25,4 mm
F <sub>w</sub>	1 inch
F <sub>w</sub>	25,4 mm
D	1,3133 inch
D	33,338 mm
C <sub>1</sub>	1 inch
C <sub>1</sub>	25,4 mm
m	0,095 lbs / Weight
m	43 g / Weight
C <sub>r</sub>	4500 lbf / Dynamic load rating (radial)
C <sub>r</sub>	20000 N / Dynamic load rating (radial)
C <sub>0r</sub>	6400 lbf / Static load rating (radial)
C <sub>0r</sub>	28500 N / Static load rating (radial)
n <sub>G</sub>	9500 1/min / Limiting speed
Category	Roller Bearings
Inventory	0.0
Manufacturer Name	SCHAEFFLER GROUP
Minimum Buy Quantity	N/A
Weight / Kilogram	0.051
Product Group	B04144



**LEDONG Machinery Co., Ltd.**