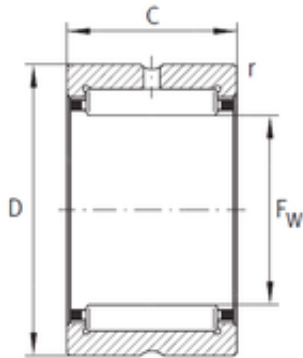




LEDONG Machinery Co., Ltd.

INA NK30/20-TN-XL needle roller bearings



Bearing No. NK30/20-TN-XL

| | |
|--|--------------|
| Size | 30x40x20 mm |
| Bore Diameter | 30 mm |
| Outer Diameter | 40 mm |
| Width | 20 mm |
| F _w | 30 mm |
| D | 40 mm |
| C | 20 mm |
| r min. | 0,3 mm |
| Weight | 0,061 Kg |
| Basic dynamic load rating (C) | 28 kN |
| Basic static load rating (C ₀) | 41 kN |
| Fatigue load limit (P _u) | 7,2 |
| Reference speed | 10 000 r/min |

NK30/20-TN-XL Bearing 2D drawings and 3D CAD models