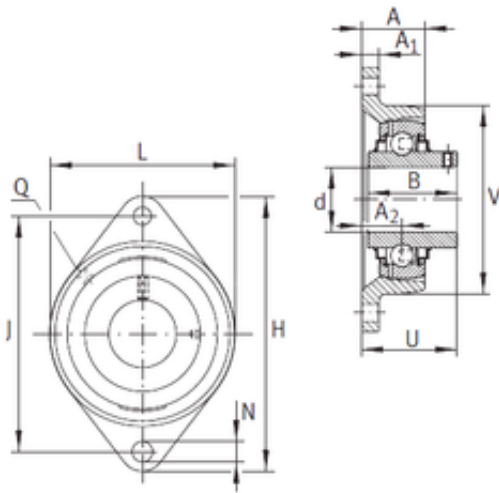




LEDONG Machinery Co., Ltd.

INA RCJTY45-JIS bearing units



Bearing No. RCJTY45-JIS

Bore Diameter	45 mm
d	45 mm
Q	M6
U	52,2 mm
A	38 mm
A1	18 mm
B	49,2 mm
H	188 mm
J	148 mm
L	108 mm
N	19 mm
A2	22 mm
Weight	1,94 Kg
Basic dynamic load rating (C)	32,5 kN
Category	Bearings
Inventory	0.0
Manufacturer Name	SCHAEFFLER GROUP
Minimum Buy Quantity	N/A
Weight / Kilogram	1.94
Product Group	M06110

RCJTY45-JIS Bearing 2D drawings and 3D CAD models