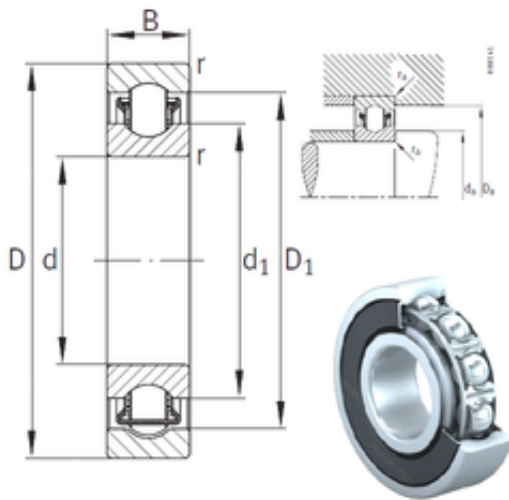




LEDONG Machinery Co., Ltd.

35 mm x 72 mm x 17 mm INA BXRE207-2HRS needle roller bearings

Bearing No. BXRE207-2HRS



BXRE207-2HRS Bearing 2D drawings and 3D CAD models

Size	35x72x17 mm
Bore Diameter	35 mm
Outer Diameter	72 mm
Width	17 mm
d	35 mm
D	72 mm
B	17 mm
C	17 mm
d1	47,8 mm
r min.	1,1 mm
D1	60,6 mm
da min.	42 mm
Da max.	65 mm
ra max.	1 mm
Weight	0,308 Kg
Basic dynamic load rating (C)	39 kN
Basic static load rating (C0)	28,5 kN
Fatigue load limit (Pu)	1 430