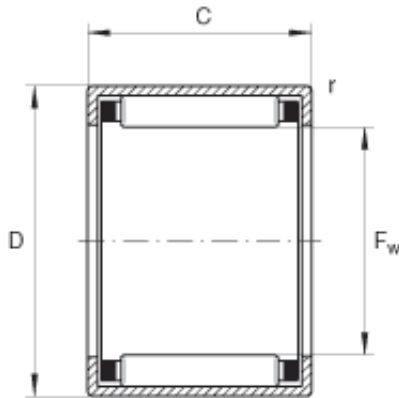




LEDONG Machinery Co., Ltd.



HK1312 Bearing 2D drawings and 3D CAD models

INA HK1312 needle roller bearings

Bearing No. HK1312

Size	13x19x12 mm
Bore Diameter	13 mm
Outer Diameter	19 mm
Width	12 mm
F_w	13 mm
D	19 mm
C - 12 mm / Tolerance: -0,3	12 mm / Tolerance: 0,3
r_{min}	0,8 mm
m	10 g / Weight
C_r	6800 N / Dynamic load rating (radial)
C_{0r}	7900 N / Static load rating (radial)
C_{ur}	940 N / Fatigue limit load, radial
n_G	18700 1/min / Limiting speed
n_B	12900 1/min / Reference speed
	LR10X13X12,5 / Suitable inner ring
	IR10X13X12,5 / Suitable inner ring
Category	Needle Non Thrust Roller Bearings
Inventory	0.0
Manufacturer Name	SCHAEFFLER GROUP
Minimum Buy Quantity	N/A



LEDONG Machinery Co., Ltd.

Weight / Kilogram	0.01
EAN	4026677400369
Product Group	B04144
Rolling Element	Needle Roller Bearing
Component	Roller Assembly with Outer Ring - No Inner Ring
Enclosure	Open
Self Aligning	No
Retainer	Yes
Number of Rows of Rollers	Single Row
Separable	No
Closed End	No
Inch - Metric	Metric
Relubricatable	No
Thrust Bearing	No
Long Description	13MM Bore; 19MM Outside Diameter; 12MM Width; Needle Roller Bearing; Roller Assembly with Outer Ring - No Inner Ring; Open; Not Self Aligning; Retainer; Single Row of Rollers; Not Separable; Not Close
Other Features	2 Rib Outer Ring Drawn Cup Bearing Steel Cage
Category	Needle Non Thrust Roller Bearing
UNSPSC	31171512
Harmonized Tariff Code	8482.99.65.30
Noun	Roller Assembly with Outer Ring
Keyword String	Bearing Needle
Manufacturer URL	http://www.ina.com
Manufacturer Item Number	HK1312
Weight / LBS	0.022



LEDONG Machinery Co., Ltd.

Width	0.472 Inch 12 Millimeter
Outside Diameter	0.748 Inch 19 Millimeter
Bore	0.512 Inch 13 Millimeter