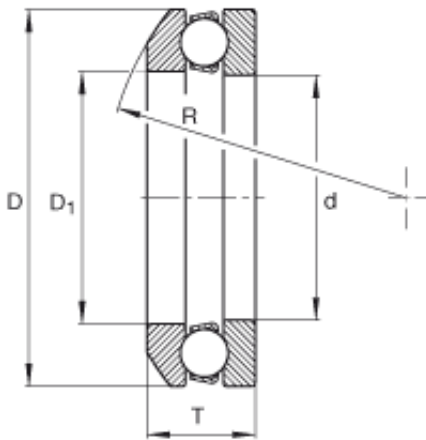




# LEDONG Machinery Co., Ltd.

## INA 4117 thrust ball bearings

Bearing No. 4117



4117 Bearing 2D drawings and 3D CAD models

Size	85x125x38 mm
Bore Diameter	85 mm
Outer Diameter	125 mm
Width	38 mm
d	3,347 inch
d	85 mm
D	4,921 inch
D	125 mm
T	1,496 inch
T	38 mm
D <sub>1</sub>	3,465 inch
R	105 mm
m	3,493 lbs / Weight
m	1,584 kg / Weight
C <sub>a</sub>	24000 lbf / Dynamic load rating (axial)
C <sub>a</sub>	107000 N / Dynamic load rating (axial)
C <sub>0a</sub>	62000 lbf / Static load rating (axial)
C <sub>0a</sub>	275000 N / Static load rating (axial)
Category	Thrust Ball Bearing
Inventory	0.0
Manufacturer Name	SCHAEFFLER GROUP
Minimum Buy Quantity	N/A
Weight / Kilogram	1.63



## LEDONG Machinery Co., Ltd.

Product Group	B00308
Rolling Element	Ball Bearing
Thrust Bearing	Yes
Single or Double Direction	Single Direction
Banded	No
Cage Material	Steel
Precision Class	ABEC 1   ISO P0
Component Description	Roller Assembly Plus Raceways
Other Features	Single Row
Long Description	85MM Bore 1; 88MM Bore 2; 125MM Outside Diameter; 38MM Height; Ball Bearing; Single Direction; Not Banded; Steel Cage; ABEC 1   ISO P0 Precision
Inch - Metric	Metric
Category	Thrust Ball Bearings
UNSPSC	31171552
Harmonized Tariff Code	8482.10.50.08
Noun	Bearing
Keyword String	Ball Thrust
Manufacturer URL	<a href="http://www.ina.com">http://www.ina.com</a>
Weight / LBS	3.493
Bore 1	3.346 Inch   85 Millimeter
Overall Height with Aligning Washer	0 Inch   0 Millimeter
Height	1.496 Inch   38 Millimeter
Outside Diameter	4.921 Inch   125 Millimeter
Bore 2	3.465 Inch   88 Millimeter