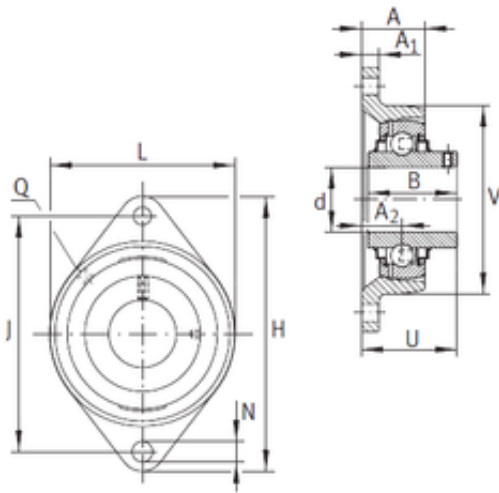




LEDONG Machinery Co., Ltd.

INA RCJTY60-JIS bearing units



Bearing No. RCJTY60-JIS

Bore Diameter	60 mm
d	60 mm
Q	M6
U	68,7 mm
A	48 mm
A1	20 mm
B	65,1 mm
H	250 mm
J	202 mm
L	140 mm
N	23 mm
A2	29 mm
Weight	3,88 Kg
Basic dynamic load rating (C)	52 kN

RCJTY60-JIS Bearing 2D drawings and 3D CAD models