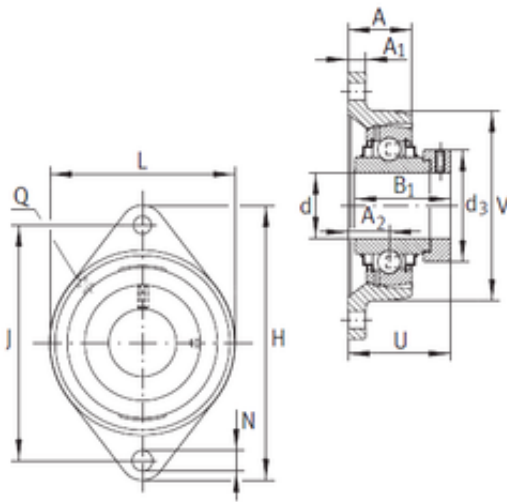




# LEDONG Machinery Co., Ltd.

## INA RCJT70 bearing units



Bearing No. RCJT70

Bore Diameter	70 mm
d	70 mm
V	160 mm
U	82,6 mm
Thread (Q)	Rp1/8
d3	96 mm
A	57 mm
A1	18 mm
B1	66 mm
H	258 mm
J	216 mm
L	160 mm
N	21 mm
A2	38 mm
Weight	6,15 Kg
Basic dynamic load rating (C)	62 kN
Category	Flange Block Bearings
Inventory	0.0
Manufacturer Name	SCHAEFFLER GROUP
Minimum Buy Quantity	N/A
Weight / Kilogram	7.209
EAN	4012802795271
Product Group	M06110
Number of Mounting Holes	2
Mounting Method	Eccentric Collar
Housing Style	2 Bolt Flange Block

RCJT70 Bearing 2D drawings and 3D CAD models



## LEDONG Machinery Co., Ltd.

Rolling Element	Ball Bearing
Housing Material	Cast Iron
Expansion / Non-expansion	Non-expansion
Mounting Bolts	21 Millimeter
Relubricatable	Yes
Insert Part Number	GE70KRRB
Seals	Double Land Riding Rubber Contact
Housing Configuration	1 Piece Solid
Pilot Configuration	No Pilot
Inch - Metric	Metric
Long Description	2 Bolt Flange Block; 70MM Bore; 215MM Bolt Circle; 216MM Bolt Spacing; 1 Piece Solid; Eccentric Collar Mount; Cast Iron; Ball Bearing; 66.1MM Length Thru Bore; Relubricatable; Double Land Riding Rubbe
Other Features	Single Row   With Set Screw
Category	Flange Block
UNSPSC	31171501
Harmonized Tariff Code	8483.20.40.40
Noun	Bearing
Keyword String	Flanged
Manufacturer URL	<a href="http://www.ina.com">http://www.ina.com</a>
Manufacturer Item Number	RCJT70
Weight / LBS	13.561
Length Thru Bore	2.602 Inch   66.1 Millimeter
Cartridge Pilot Diameter	0 Inch   0 Millimeter
Cartridge Pilot Depth	0 Inch   0 Millimeter
Nominal Bolt Circle Diameter Round	8.5 Inch   215 Millimeter
Bore	2.756 Inch   70 Millimeter
Bolt Spacing	8.504 Inch   216 Millimeter



**LEDONG Machinery Co., Ltd.**