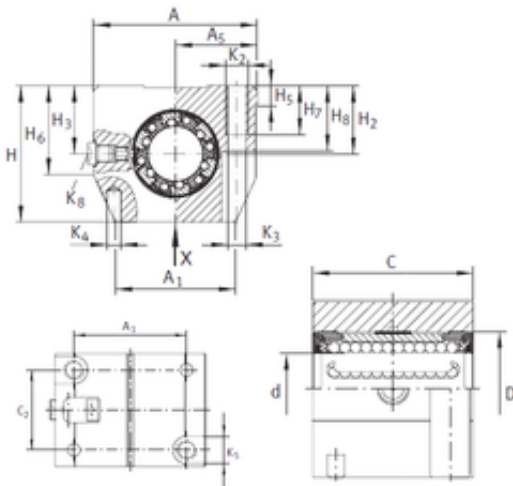




LEDONG Machinery Co., Ltd.

INA KGN 12 C-PP-AS linear bearings

Bearing No. KGN 12 C-PP-AS



KGN 12 C-PP-AS Bearing 2D drawings and 3D CAD models

Bore Diameter	12 mm
Outer Diameter	22 mm
d	12 mm
D	22 mm
H5	6 mm
H6	25,5 mm
H7	11 mm
H8	16,5 mm
K3	4,3 mm
K4	4 mm
K5	8 mm
Thread (K2)	M5
H3	18 mm
A5	21,5 mm
A	43 mm
A1	32 mm
C	32 mm
H	35 mm
H2	18 mm
C2	23 mm
Weight	0,1 Kg
Basic dynamic load rating (C)	0,78 kN