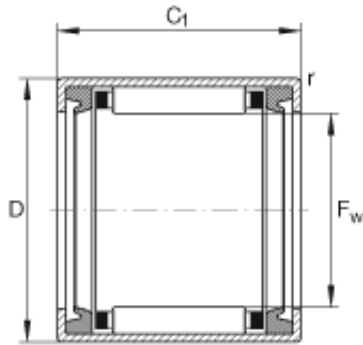




LEDONG Machinery Co., Ltd.



INA HK2216-2RS needle roller bearings

Bearing No. HK2216-2RS

HK2216-2RS Bearing 2D drawings and 3D CAD models

Size	22x28x16 mm
Bore Diameter	22 mm
Outer Diameter	28 mm
Width	16 mm
F_w	22 mm
D	28 mm
C_1 - 16 mm / Tolerance: -0,3	16 mm / Tolerance: 0,3
r_{min}	0,8 mm
m	18 g / Weight
C_r	9100 N / Dynamic load rating (radial)
C_{0r}	13400 N / Static load rating (radial)
C_{ur}	1600 N / Fatigue limit load, radial
$n_{G\text{ Fett}}$	8000 1/min / Limiting speed for grease lubrication
	IR17X22X23 / Suitable inner ring
Category	Needle Non Thrust Roller Bearings
Inventory	0.0
Manufacturer Name	SCHAEFFLER GROUP
Minimum Buy Quantity	N/A
Weight / Kilogram	0.023
Product Group	B04144
Rolling Element	Needle Roller Bearing



LEDONG Machinery Co., Ltd.

Component	Roller Assembly with Outer Ring - No Inner Ring
Enclosure	2 Seals
Self Aligning	No
Retainer	Yes
Number of Rows of Rollers	Single Row
Separable	No
Closed End	No
Inch - Metric	Metric
Relubricatable	No
Thrust Bearing	No
Long Description	22MM Bore; 28MM Outside Diameter; 16MM Width; Needle Roller Bearing; Roller Assembly with Outer Ring - No Inner Ring; 2 Seals Enclosure; No Self Aligning; Retainer; Single Row of Rollers; No Separable
Other Features	2 Rib Outer Ring Drawn Cup Bearing Steel Cage
Category	Needle Non Thrust Roller Bearing
UNSPSC	31171512
Harmonized Tariff Code	8482.40.00.00
Noun	Bearing
Keyword String	Needle
Manufacturer URL	http://www.ina.com
Manufacturer Item Number	HK22162RS
Weight / LBS	0.04
Width	0.63 Inch 16 Millimeter
Bore	0.866 Inch 22 Millimeter
Outside Diameter	1.102 Inch 28 Millimeter