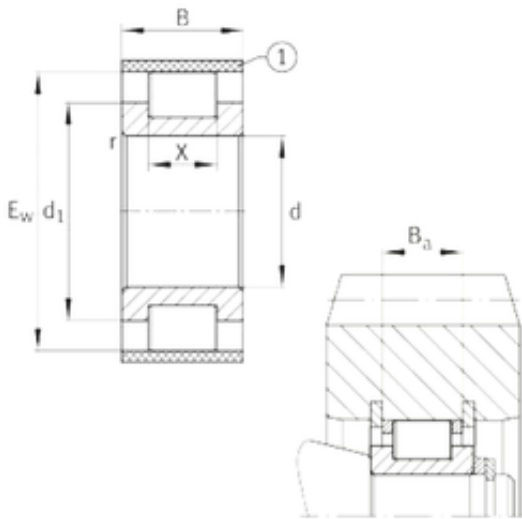




LEDONG Machinery Co., Ltd.

INA RSL183009-A cylindrical roller bearings

Bearing No. RSL183009-A



RSL183009-A Bearing 2D drawings and 3D CAD models

Size	45x66.85x23 mm
Bore Diameter	45 mm
Outer Diameter	66,85 mm
Width	23 mm
d	45 mm
Ew	66,85 mm
B	23 mm
Ba	20,2 mm
X	12 mm
d1	55,5 mm
r min.	1 mm
Weight	0,23 Kg
Basic dynamic load rating (C)	70 kN
Basic static load rating (C0)	76 kN