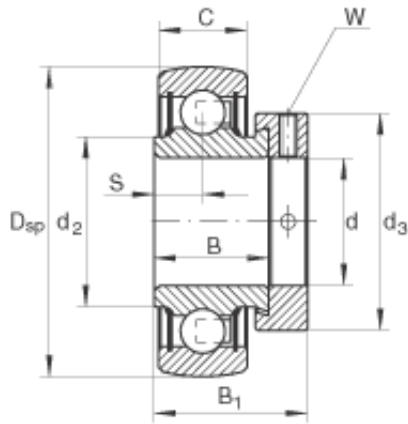




LEDONG Machinery Co., Ltd.

INA RAE40-NPP-B deep groove ball bearings



Bearing No. RAE40-NPP-B

Size	40x80x43.8 mm
Bore Diameter	40 mm
Outer Diameter	80 mm
Width	43,8 mm
d	40 mm
D _{SP}	80 mm
B ₁	43,8 mm
B	30,2 mm
C	21 mm
d ₂	49,4 mm
d _{3 max}	58 mm
S	11 mm
W	5 mm
m	0,63 kg / Weight
C _r	34500 N / Dynamic load rating (radial)
C _{0r}	19800 N / Static load rating (radial)
Category	Insert Bearings Spherical OD
Inventory	0.0
Manufacturer Name	SCHAEFFLER GROUP
Minimum Buy Quantity	N/A
Weight / Kilogram	0.63
EAN	4012802800432
Product Group	B00308
Inner Race Profile	Narrow Inner Ring

RAE40-NPP-B Bearing 2D drawings and 3D CAD models



LEDONG Machinery Co., Ltd.

Outer Race Profile	Spherical
Relubricatable	No
Seal Type	Double Lip Contact
Mounting Method	Eccentric Collar
Rolling Element	Ball Bearing
Snap Ring	No
Long Description	40MM Bore; Narrow Inner Ring; Ball Bearing; 43.8MM Length Thru Bore; 21MM Outer Race Width; 80MM Outside Diameter; Not Relubricatable; Double Lip Contact Seal; Eccentric Collar Mounting Method; No Sna
Inch - Metric	Metric
Other Features	Single Row Metric
Category	Insert Bearings
UNSPSC	31171536
Harmonized Tariff Code	8482.10.50.00
Noun	Bearing
Keyword String	Insert
Manufacturer URL	http://www.ina.com
Manufacturer Item Number	RAE40NPPB
Weight / LBS	1.389
Outside Diameter	3.15 Inch 80 Millimeter
Outer Race Width	0.827 Inch 21 Millimeter
Length Thru Bore	1.724 Inch 43.8 Millimeter
Bore	1.575 Inch 40 Millimeter