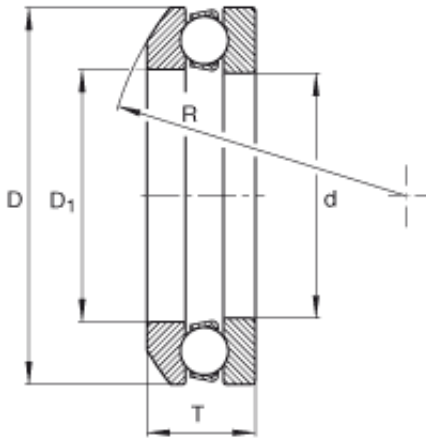




# LEDONG Machinery Co., Ltd.

## INA 4105 thrust ball bearings

Bearing No. 4105



4105 Bearing 2D drawings and 3D CAD models

Size	25x48x17 mm
Bore Diameter	25 mm
Outer Diameter	48 mm
Width	17 mm
d	0,984 inch
d	25 mm
D	1,89 inch
D	48 mm
T	0,669 inch
T	17 mm
D <sub>1</sub>	1,063 inch
R	35 mm
m	0,293 lbs / Weight
m	0,133 kg / Weight
C <sub>a</sub>	5850 lbf / Dynamic load rating (axial)
C <sub>a</sub>	26000 N / Dynamic load rating (axial)
C <sub>0a</sub>	10340 lbf / Static load rating (axial)
C <sub>0a</sub>	46000 N / Static load rating (axial)
Category	Thrust Ball Bearing
Inventory	0.0
Manufacturer Name	SCHAEFFLER GROUP
Minimum Buy Quantity	N/A
Weight / Kilogram	0.13



## LEDONG Machinery Co., Ltd.

EAN	4012802029345
Product Group	B00308
Rolling Element	Ball Bearing
Thrust Bearing	Yes
Single or Double Direction	Single Direction
Banded	No
Cage Material	Steel
Precision Class	ABEC 1   ISO P0
Component Description	Roller Assembly Plus Raceways
Optional Components	Order 4105AW Aligning Washer Separately
Other Features	Single Row   Deep Groove   Medium Cross Section   Grooved Race   Separable
Long Description	25MM Bore 1; 27MM Bore 2; 48MM Outside Diameter; 17MM Height; Ball Bearing; Single Direction; Not Banded; Steel Cage; ABEC 1   ISO P0 Precision
Inch - Metric	Metric
Category	Thrust Ball Bearings
UNSPSC	31171507
Harmonized Tariff Code	8482.10.50.08
Noun	Bearing
Keyword String	Ball Thrust
Manufacturer URL	<a href="http://www.ina.com">http://www.ina.com</a>
Manufacturer Item Number	4105
Weight / LBS	0.293
Bore 1	0.984 Inch   25 Millimeter
Outside Diameter	1.89 Inch   48 Millimeter
Height	0.669 Inch   17 Millimeter
Overall Height with Aligning Washer	0 Inch   0 Millimeter



## LEDONG Machinery Co., Ltd.

Bore 2

1.063 Inch | 27 Millimeter