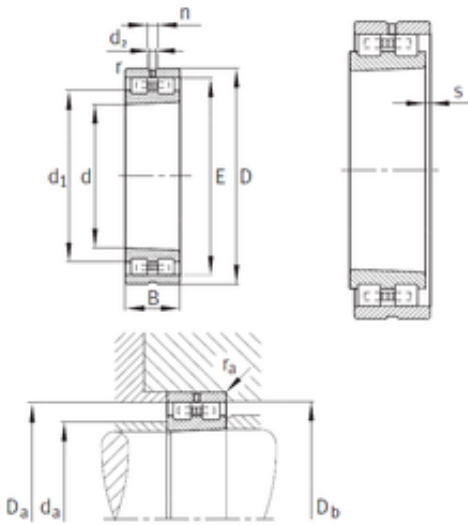




LEDONG Machinery Co., Ltd.

60 mm x 95 mm x 26 mm INA NN3012-AS-K-M-SP cylindrical roller bearings

Bearing No. NN3012-AS-K-M-SP



NN3012-AS-K-M-SP Bearing 2D drawings and 3D CAD models

Size	60x95x26 mm
Bore Diameter	60 mm
Outer Diameter	95 mm
Width	26 mm
d	60 mm
D	95 mm
E	86,1 mm
B	26 mm
C	26 mm
n	4,8 mm
d1	73,3 mm
d2	3,2 mm
r min.	1,1 mm
da min.	66 mm
Da max.	89 mm
Db min.	87 mm
ra max.	1 mm
S	1,9 mm
Weight	0,674 Kg
Basic dynamic load rating (C)	75 kN
Basic static load rating (C0)	110 kN
(Grease) Lubrication Speed	8 500 r/min
(Oil) Lubrication Speed	10 000 r/min