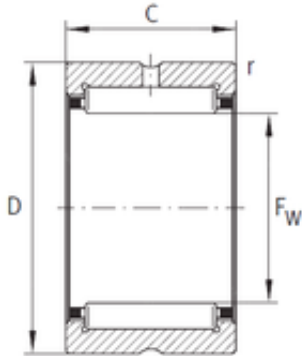




LEDONG Machinery Co., Ltd.

INA NKS60-XL needle roller bearings



Bearing No. NKS60-XL

Size	60x80x28 mm
Bore Diameter	60 mm
Outer Diameter	80 mm
Width	28 mm
F _w	60 mm
D	80 mm
C	28 mm
r min.	1,1 mm
Weight	0,335 Kg
Basic dynamic load rating (C)	71 kN
Basic static load rating (C ₀)	98 kN
Fatigue load limit (P _u)	17,3
Reference speed	5 500 r/min

NKS60-XL Bearing 2D drawings and 3D CAD models