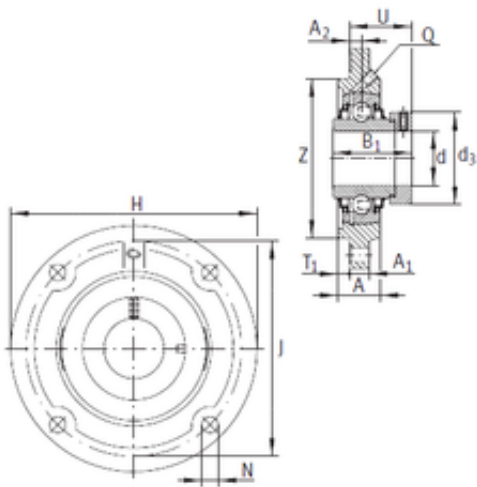




LEDONG Machinery Co., Ltd.



RFE45 Bearing 2D drawings and 3D CAD models

INA RFE45 bearing units

Bearing No. RFE45

Bore Diameter	45 mm
d	45 mm
U	46,4 mm
Thread (Q)	Rp1/8
T1	4 mm
Z	105 mm
d3	63 mm
A	26,5 mm
A1	12 mm
B1	56,5 mm
H	155 mm
J	130 mm
N	14 mm
A2	11,5 mm
Weight	2,06 Kg
Basic dynamic load rating (C)	32,5 kN
Category	Flange Block Bearings
Inventory	0.0
Manufacturer Name	SCHAEFFLER GROUP
Minimum Buy Quantity	N/A
Weight / Kilogram	2.407
EAN	4012802793666
Product Group	M06110
Number of Mounting Holes	4
Mounting Method	Eccentric Collar
Housing Style	4 Bolt Round Flange Block



LEDONG Machinery Co., Ltd.

Rolling Element	Ball Bearing
Housing Material	Cast Iron
Expansion / Non-expansion	Non-expansion
Mounting Bolts	14 Millimeter
Relubricatable	Yes
Insert Part Number	GE45KRRB
Seals	Double Land Riding Rubber Contact
Housing Configuration	1 Piece Solid
Pilot Configuration	No Pilot
Inch - Metric	Metric
Long Description	4 Bolt Round Flange Block; 45MM Bore; 130MM Bolt Circle; 91.9MM Bolt Spacing; 1 Piece Solid; Eccentric Collar Mount; Cast Iron; Ball Bearing; 56.5MM Length Thru Bore; Relubricatable; Double Land Ridin
Other Features	Single Row Centering Spigot With Set Screw
Category	Flange Block
UNSPSC	31171501
Harmonized Tariff Code	8483.20.40.40
Noun	Bearing
Keyword String	Flanged
Manufacturer URL	http://www.ina.com
Manufacturer Item Number	RFE45
Weight / LBS	4.542
Bolt Spacing	3.6 Inch 91.9 Millimeter
Cartridge Pilot Diameter	0 Inch 0 Millimeter
Nominal Bolt Circle Diameter Round	5.1 Inch 130 Millimeter
Bore	1.772 Inch 45 Millimeter



LEDONG Machinery Co., Ltd.

Cartridge Pilot Depth	0 Inch 0 Millimeter
Length Thru Bore	2.224 Inch 56.5 Millimeter