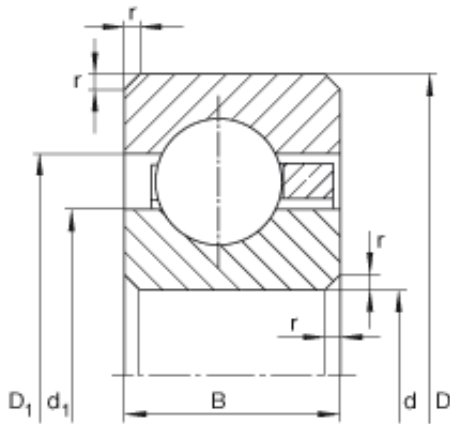




LEDONG Machinery Co., Ltd.

9 inch x 279,4 mm x 25,4 mm INA CSCG090
deep groove ball bearings

Bearing No. CSCG090



CSCG090 Bearing 2D drawings and 3D CAD models

Size	228.6x279.4x25.4 mm
Bore Diameter	228,6 mm
Outer Diameter	279,4 mm
Width	25,4 mm
d	228,6 mm
d	9 inch
D	279,4 mm
B	25,4 mm
D ₁	260,6 mm
d ₁	247,5 mm
r _{min}	2 mm
m	3,27 kg / Weight
C _r	50000 N / Dynamic load rating (radial)
C _{0r}	64000 N / Static load rating (radial)