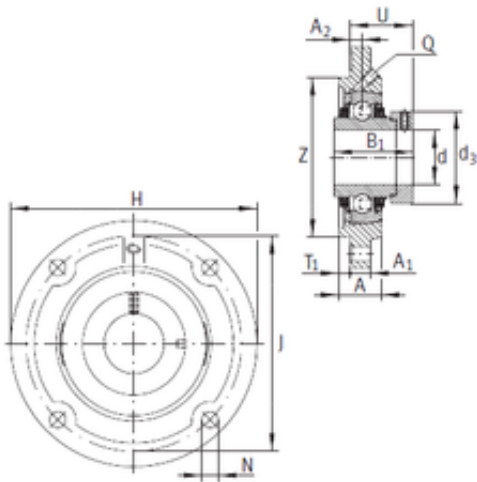




LEDONG Machinery Co., Ltd.



TFE30 Bearing 2D drawings and 3D CAD models

INA TFE30 bearing units

Bearing No. TFE30

Bore Diameter	30 mm
d	30 mm
U	40,6 mm
Thread (Q)	Rp1/8
T1	3 mm
Z	85 mm
d3	44 mm
A	22,5 mm
A1	9,5 mm
B1	48,5 mm
H	127 mm
J	105 mm
N	9 mm
A2	10,5 mm
Weight	1,08 Kg
Basic dynamic load rating (C)	19,5 kN
Category	Bearings
Inventory	0.0
Manufacturer Name	SCHAEFFLER GROUP
Minimum Buy Quantity	N/A
Weight / Kilogram	1.05
Product Group	M06110