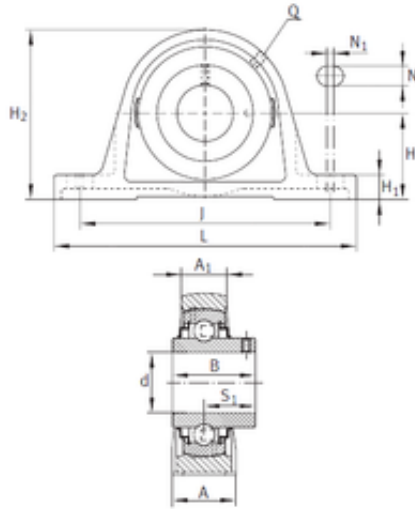




# LEDONG Machinery Co., Ltd.



## INA RAKY2-7/16 bearing units

Bearing No. RAKY2-7/16

Bore Diameter	61,913 mm
d	61,913 mm
S1	39,701 mm
Thread (Q)	1/8 NPT
A	64,999 mm
A1	46,99 mm
B	65,101 mm
H	68,301 mm
H1	26,391 mm
H2	138,405 mm
J	189,256 mm
L	245,009 mm
N	18,009 mm
N1	12,243 mm
Category	Pillow Block Bearings
Inventory	0.0
Manufacturer Name	SCHAEFFLER GROUP
Minimum Buy Quantity	N/A
Weight / Kilogram	5.027
Product Group	M06110
Number of Mounting Holes	2
Mounting Method	Eccentric Collar
Housing Style	2 Bolt Pillow Block
Rolling Element	Ball Bearing
Housing Material	Cast Iron
Expansion / Non-expansion	Non-expansion

RAKY2-7/16 Bearing 2D drawings and 3D CAD models



## LEDONG Machinery Co., Ltd.

Relubricatable	Yes
Insert Part Number	GY1207KRRB
Seals	Double Land Riding Rubber Contact
Housing Configuration	1 Piece Solid
Inch - Metric	Inch
Other Features	Single Row   Radial   Low Base   With Set Screw
Long Description	2 Bolt Pillow Block; 2-7/16" Bore; 2-11/16" Base to Center Height; Eccentric Collar Mount; Ball Bearing; 6-31/32" Minimum Bolt Spacing; 7.933" Bolt Spacing Maximum; Relubricatable;
Category	Pillow Block
UNSPSC	31171511
Harmonized Tariff Code	8483.20.40.40
Noun	Bearing
Keyword String	Pillow Block
Manufacturer URL	<a href="http://www.ina.com">http://www.ina.com</a>
Manufacturer Item Number	RAKY2-7/16HLC
Weight / LBS	11.083
Bolt Spacing Minimum	6.969 Inch   177.013Millimeter
Bore	2.438 Inch   61.925 Millimeter
Base to Center Height	2.688 Inch   68.275 Millimeter
Bolt Spacing Maximum	7.933 Inch   201.498Millimeter
Nominal Bolt Center to Center	7.5 Inch   190.5 Millimeter
Length Thru Bore	2.563 Inch   65.1 Millimeter