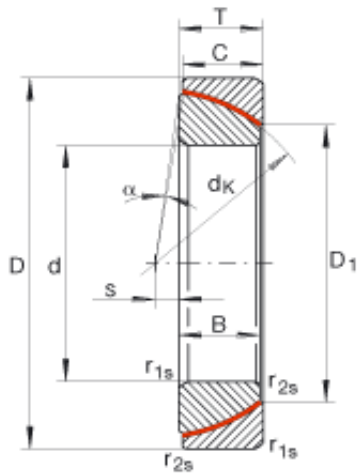




LEDONG Machinery Co., Ltd.



INA GE45-SW plain bearings

Bearing No. GE45-SW

Size	45x75x19 mm
Bore Diameter	45 mm
Outer Diameter	75 mm
Width	19 mm
T	20 mm
C	19 mm
D ₁	52,9 mm
D _{a min}	58 mm
d _{a max}	51,7 mm
d _{b max}	60 mm
d _K	66 mm
D _{b min}	67 mm
r _{1s min}	0,3 mm
s	1,5 mm
alf (°)	1,7
Weight (kg)	0,41
C _r (N)	319000
C _{0r} (N)	532000
Category	Spherical Plain Bearings - Thrust
Inventory	0.0
Manufacturer Name	SCHAEFFLER GROUP
Minimum Buy Quantity	N/A
Weight / Kilogram	0
EAN	4012802532654

GE45-SW Bearing 2D drawings and 3D CAD models



LEDONG Machinery Co., Ltd.

Product Group	B04120
Component	Complete with Outer and Inner Ring
Rolling Element	Spherical Plain Bearing
Self Aligning	Yes
Material - Outer Member	Steel
Material - Ball	Steel
Material - Liner	PTFE
Enclosure	Open
Relubricatable	No
Other Features	Angular Contact Single Direction
Long Description	45MM Bore; 75MM Housing Outside Diameter; 20MM Overall Width; Complete with Outer and Inner Ring; Spherical Plain Bearing; Self Aligning; Steel Outer Member; Steel Ball; Open Enclosure; 67MM Ball Outs
Inch - Metric	Metric
Category	Plain Bearings Spherical Thrust
UNSPSC	31171515
Harmonized Tariff Code	8483.30.80.70
Noun	Bearing
Keyword 3	Spherical
Keyword String	Plain Thrust Spherical
Manufacturer URL	http://www.ina.com
Manufacturer Item Number	GE45SW
Weight / LBS	0.948
Overall Width	0.787 Inch 20 Millimeter
Bore	1.772 Inch 45 Millimeter
Housing Width	0.748 Inch 19 Millimeter
Ball Outside Diameter	2.638 Inch 67 Millimeter



LEDONG Machinery Co., Ltd.

Housing Outside Diameter	2.953 Inch 75 Millimeter
--------------------------	----------------------------