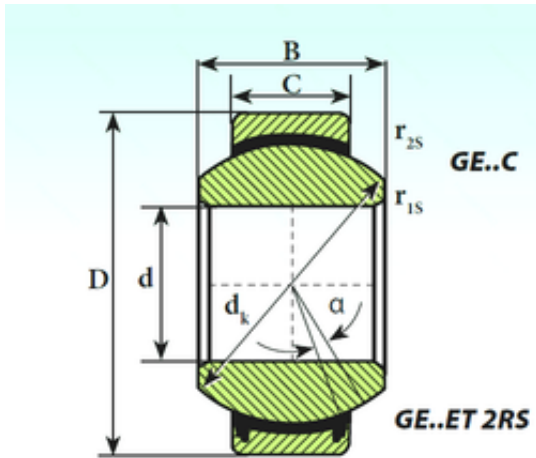




# LEDONG Machinery Co., Ltd.



30 mm x 47 mm x 22 mm ISB GE 30 ET 2RS  
plain bearings

Bearing No. GE 30 ET 2RS

Size	30x47x22 mm
Bore Diameter	30 mm
Outer Diameter	47 mm
Width	22 mm
d	30 mm
D	47 mm
B	22 mm
C	18 mm
dk	40,7 mm
r1 min.	0,6 mm
r2 min.	0,6 mm
Angle	6 °
Weight	0,163 Kg
Basic dynamic load rating (C)	88 kN

GE 30 ET 2RS Bearing 2D drawings and 3D CAD models