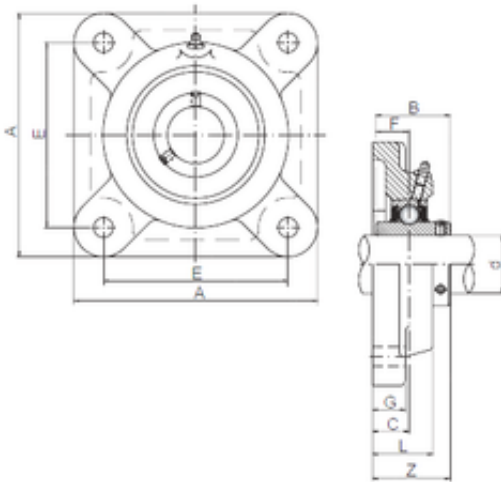




LEDONG Machinery Co., Ltd.



ISO UCF207 bearing units

Bearing No. UCF207

Bore Diameter	35 mm
Width	42,9 mm
d	35 mm
Z	44,4 mm
A	117 mm
B	42,9 mm
C	19 mm
E	92 mm
F	17,5 mm
G	16 mm
L	34 mm
S	14 mm
Bolt (G)	M12

UCF207 Bearing 2D drawings and 3D CAD models