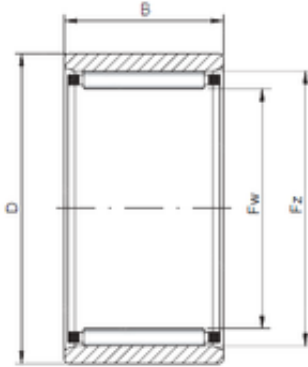




LEDONG Machinery Co., Ltd.

70 mm x 90 mm x 30 mm ISO RNAO70x90x30
cylindrical roller bearings



Bearing No. RNAO70x90x30

Size	70x90x30 mm
Bore Diameter	70 mm
Outer Diameter	90 mm
Width	30 mm
d	70 mm
Fw	70 mm
D	90 mm
Ew	78 mm
B	30 mm
C	30 mm

RNAO70x90x30 Bearing 2D drawings and 3D CAD models