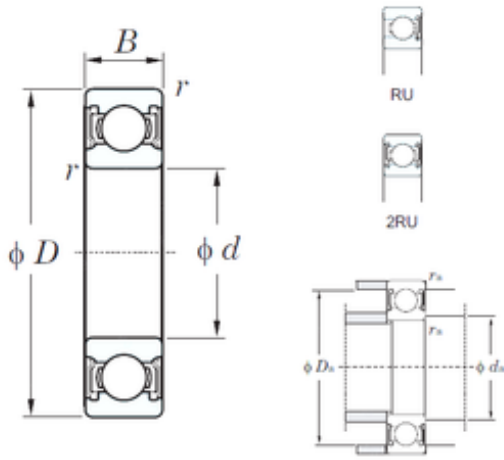




LEDONG Machinery Co., Ltd.



55 mm x 72 mm x 9 mm KOYO 6811-2RU deep groove ball bearings

Bearing No. 6811-2RU

Size	55x72x9 mm
Bore Diameter	55 mm
Outer Diameter	72 mm
Width	9 mm
d	55 mm
D	72 mm
B	9 mm
C	9 mm
r min.	0,3 mm
da min.	57 mm
da max	58,5 mm
Da max.	70 mm
ra max.	0,3 mm
Weight	0,083 Kg
Basic dynamic load rating (C)	8,8 kN
Basic static load rating (C0)	8,1 kN
(Grease) Lubrication Speed	8700 r/min

6811-2RU Bearing 2D drawings and 3D CAD models