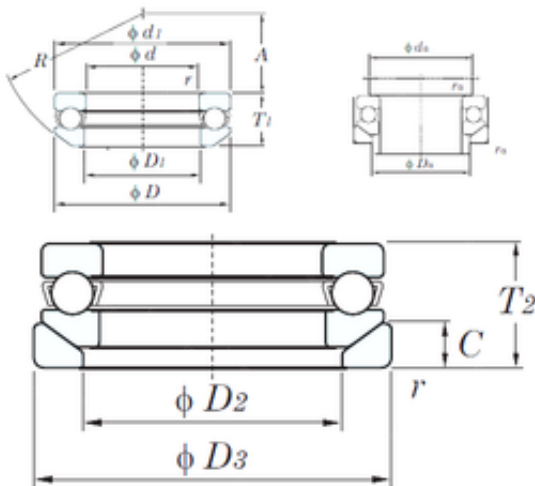




# LEDONG Machinery Co., Ltd.

## KOYO 53252U thrust ball bearings

Bearing No. 53252U



53252U Bearing 2D drawings and 3D CAD models

Size	260x360x82.8 mm
Bore Diameter	260 mm
Outer Diameter	360 mm
Width	82,8 mm
d	260 mm
D	360 mm
T1	82,8 mm
T2	93 mm
d1	355 mm
r min.	2,1 mm
A	152 mm
C	30 mm
D1	264 mm
D2	305 mm
D3	370 mm
R	280 mm
da min.	319 mm
Da max.	301 mm
ra max.	2 mm
Weight	28,5 Kg
Basic dynamic load rating (C)	445 kN
Basic static load rating (C0)	1880 kN
(Grease) Lubrication Speed	490 r/min
Bearing No.	53252U
T	93
r(min)	2.1



## LEDONG Machinery Co., Ltd.

Ca	556
Coa	1880
Cu	48.1
Grease lub.	490
Oil lub.	750
d1(max)	355
D1(min)	264
D2(min)	305
D3(min)	370
da(min)	319
Da(max)	301
ra(max)	2
(Refer.)Mass(kg)	28.5