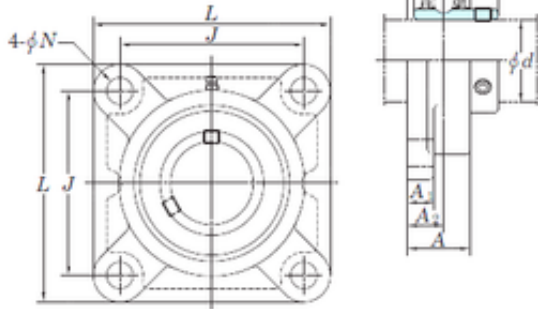




KOYO UCFX15-47 bearing units

Bearing No. UCFX15-47



UCFX15-47 Bearing 2D drawings and 3D CAD models

Bore Diameter	74,6125 mm
d	74,6125 mm
A0	89,3 mm
A	68 mm
A1	24 mm
B	82,6 mm
J	152 mm
L	197 mm
N	23 mm
S	33,3 mm
Bolt (G)	M20
A2	40 mm
Weight	8,4 Kg
Basic dynamic load rating (C)	72,7 kN
Basic static load rating (C0)	53 kN