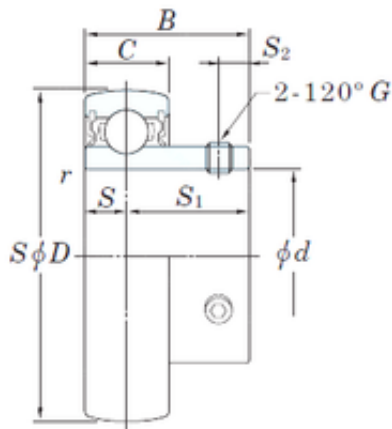




LEDONG Machinery Co., Ltd.



76,2 mm x 140 mm x 82,6 mm KOYO UCX15-48 deep groove ball bearings

Bearing No. UCX15-48

Size	76.2x140x82.6 mm
Bore Diameter	76,2 mm
Outer Diameter	140 mm
Width	82,6 mm
d	76,2 mm
D	140 mm
B	82,6 mm
C	33 mm
S1	49,3 mm
r min.	1,5 mm
S	33,3 mm
S2	14 mm
Thread (G) - 1/2-20UNF	1/220UNF
Weight	3,32 Kg
Basic dynamic load rating (C)	72,7 kN
Basic static load rating (C0)	53 kN
Category	Bearings
Inventory	0.0
Manufacturer Name	KOYO
Minimum Buy Quantity	N/A
Weight / Kilogram	0
Product Group	M06110

UCX15-48 Bearing 2D drawings and 3D CAD models