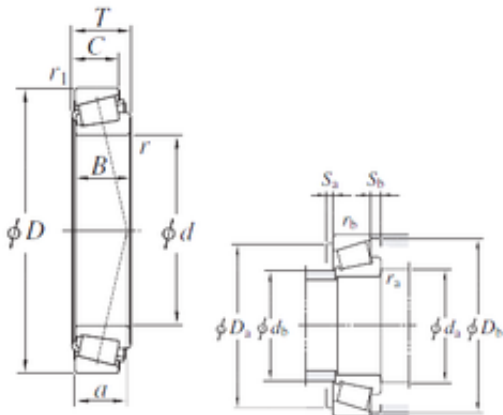




LEDONG Machinery Co., Ltd.

120 mm x 180 mm x 38 mm KOYO 32024JR tapered roller bearings

Bearing No. 32024JR



32024JR Bearing 2D drawings and 3D CAD models

Size	120x180x38 mm
Bore Diameter	120 mm
Outer Diameter	180 mm
Width	38 mm
d	120 mm
D	180 mm
T	38 mm
B	38 mm
C	29 mm
a	38,8 mm
r min.	2,5 mm
r1 min.	2 mm
r2 min.	2 mm
da min.	132 mm
da max	131 mm
Da min	161 mm
Da max.	170 mm
db max.	131 mm
Db min.	173 mm
ra max.	2 mm
rb max.	2 mm
Db	173 mm
Weight	3,34 Kg
Basic dynamic load rating (C)	258 kN
Basic static load rating (C0)	427 kN



LEDONG Machinery Co., Ltd.

(Grease) Lubrication Speed	2000 r/min
(Oil) Lubrication Speed	2600 r/min
Calculation factor (e)	0,46
Calculation factor (Y0)	0,72
Category	Tapered Roller Bearing Assemblies
Inventory	0.0
Manufacturer Name	KOYO
Minimum Buy Quantity	N/A
Weight / Kilogram	3.607
EAN	0605790021435
Product Group	B04334
Precision Class	Standard
Component	Assembly
Basic Number	32024
Number of Tapered Rows	Single Row
Inch - Metric	Metric
Other Features	High Load Capacity
Long Description	Assembly; Standard Precision; 120MM Bore; 180MM Outside Diameter; 38MM Assembly Width; Single Row of Rollers
Category	Tapered Roller Bearings Assembly
UNSPSC	31171516
Harmonized Tariff Code	8482.20.00.00
Noun	Bearing
Keyword String	Tapered
Manufacturer URL	http://www.koyousa.com
Manufacturer Item Number	32024JR
Weight / LBS	7.363
Assembly Width	1.496 Inch 38 Millimeter
Bore	4.724 Inch 120 Millimeter



LEDONG Machinery Co., Ltd.

Outside Diameter	7.087 Inch 180 Millimeter
Flange Outside Diameter	0 Inch 0 Millimeter
Bearing No.	32024JR
r(min)	2.5
r1(min)	2
Cr	325
C0r	427
Cu	60.0
Grease lub.	2000
Oil lub.	2600
a	38.8 mm
da(min)	132
db(max)	131
Da(max)	170
Da(min)	161
Db(min)	173
Sa(min)	7
Sb(min)	9
ra(max)	2
rb(max)	2
e	0.46
Y1	1.31
Y0	0.72
(Refer.)Mass(kg)	3.34