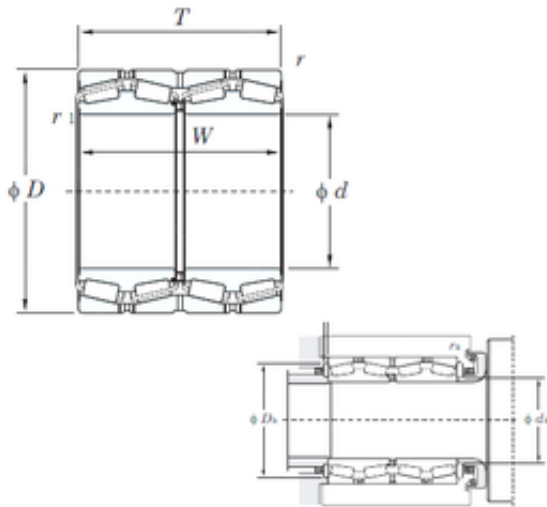




# LEDONG Machinery Co., Ltd.



## KOYO 47252 tapered roller bearings

Bearing No. 47252

Size	260x400x220 mm
Bore Diameter	260 mm
Outer Diameter	400 mm
Width	220 mm
d	260 mm
D	400 mm
T	220 mm
r min.	4 mm
r1 min.	5 mm
S	6 mm
W	220 mm
da min.	302.5 mm
Da min	361.6 mm
Da max.	382 mm
ra max.	3 mm
rb max.	4 mm
Weight	100 Kg
Basic dynamic load rating (C)	2110 kN
Basic static load rating (C0)	4240 kN
Calculation factor (e)	2.74
Calculation factor (Y0)	0.25

47252 Bearing 2D drawings and 3D CAD models