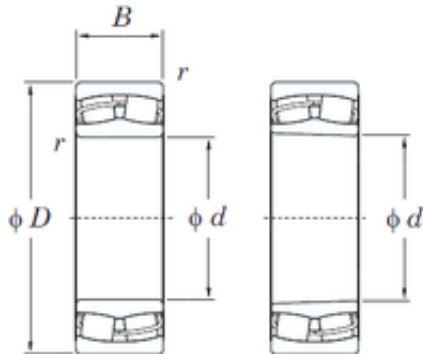




LEDONG Machinery Co., Ltd.

65 mm x 120 mm x 31 mm KOYO 22213RHR spherical roller bearings



Bearing No. 22213RHR

Size	65x120x31 mm
Bore Diameter	65 mm
Outer Diameter	120 mm
Width	31 mm
d	65 mm
D	120 mm
B	31 mm
C	31 mm
r min.	1,5 mm
da min.	73,5 mm
Da max.	111,5 mm
ra max.	1,5 mm
Weight	1,55 Kg
Basic dynamic load rating (C)	178 kN
Basic static load rating (C0)	211 kN
(Grease) Lubrication Speed	2900 r/min
(Oil) Lubrication Speed	3800 r/min
Calculation factor (e)	0,25
Calculation factor (Y0)	2,63
Calculation factor (Y1)	2,69

22213RHR Bearing 2D drawings and 3D CAD models