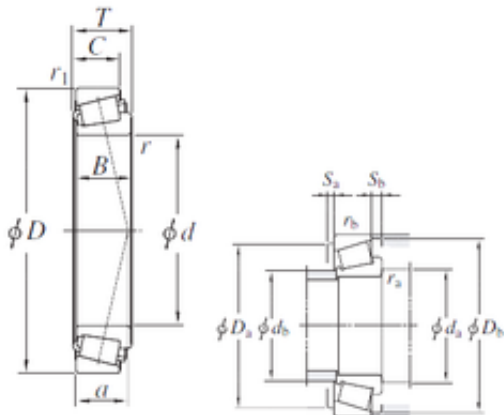




LEDONG Machinery Co., Ltd.

355,6 mm x 444,5 mm x 60,325 mm KOYO
L163149/L163110 tapered roller bearings



Bearing No. L163149/L163110

L163149/L163110 Bearing 2D drawings and 3D CAD models

Size	355.6x444.5x60.325 mm
Bore Diameter	355,6 mm
Outer Diameter	444,5 mm
Width	60,325 mm
d	355,6 mm
D	444,5 mm
T	60,325 mm
B	60,325 mm
C	47,625 mm
a	67 mm
r min.	3,6 mm
r1 min.	3,2 mm
da min.	370 mm
Da min	417 mm
Da max.	431 mm
db max.	379 mm
ra max.	3,6 mm
rb max.	3,2 mm
Db	427 mm
Weight	20,3 Kg
Basic dynamic load rating (C)	647 kN
Basic static load rating (C0)	1720 kN
Calculation factor (e)	0,31
Calculation factor (Y0)	1,07