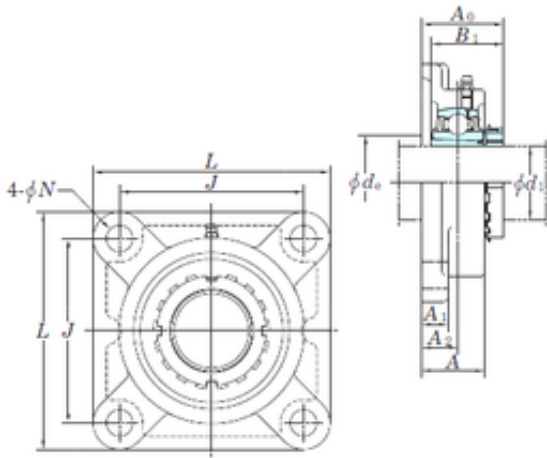




LEDONG Machinery Co., Ltd.

KOYO UKFX17 bearing units

Bearing No. UKFX17



UKFX17 Bearing 2D drawings and 3D CAD models

Bore Diameter	76,2 mm
d	76,2 mm
A0	82 mm
d3	96 mm
A	70 mm
A1	24 mm
B1	82 mm
J	171 mm
L	214 mm
N	23 mm
Thread (G)	M20
A2	40 mm
Weight	10,4 Kg
Basic dynamic load rating (C)	96,1 kN
Basic static load rating (C0)	71,5 kN