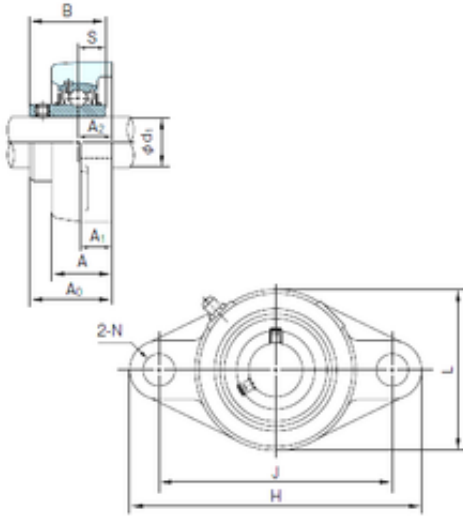




# LEDONG Machinery Co., Ltd.

## NACHI UCFL324 bearing units

Bearing No. UCFL324



|               |        |
|---------------|--------|
| Bore Diameter | 120 mm |
| d1            | 120 mm |
| A0            | 140 mm |
| A             | 110 mm |
| A1            | 48 mm  |
| B             | 126 mm |
| H             | 520 mm |
| J             | 430 mm |
| L             | 330 mm |
| L1            | 333 mm |
| N             | 47 mm  |
| S             | 51 mm  |
| Bolt (G)      | M42    |
| A2            | 65 mm  |

UCFL324 Bearing 2D drawings and 3D CAD models