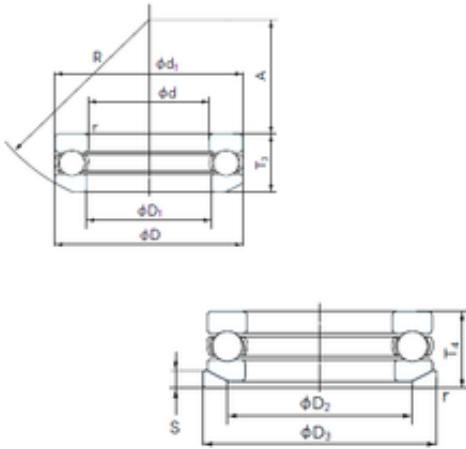




# LEDONG Machinery Co., Ltd.

## NACHI 53309U thrust ball bearings

Bearing No. 53309U



53309U Bearing 2D drawings and 3D CAD models

Size	45x85x33 mm
Bore Diameter	45 mm
Outer Diameter	85 mm
Width	33 mm
d	45 mm
D	85 mm
T	33 mm
d1	85 mm
r min.	1 mm
A	25 mm
D1	47 mm
D2	65 mm
D3	90 mm
R	64 mm
S	10 mm
Weight	0.850 Kg
Basic dynamic load rating (C)	80 kN
Basic static load rating (C0)	163 kN
(Grease) Lubrication Speed	2000 r/min