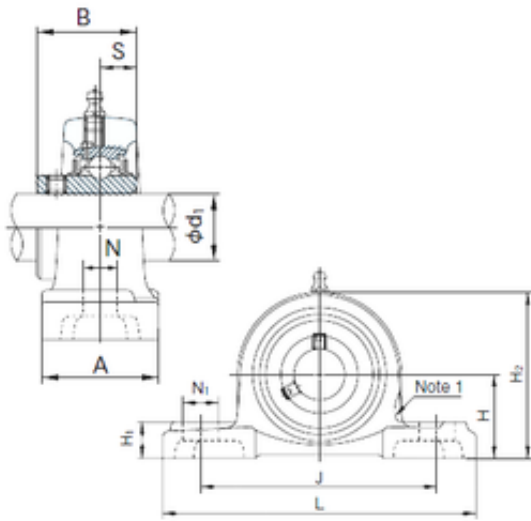




LEDONG Machinery Co., Ltd.



UCPX06 Bearing 2D drawings and 3D CAD models

NACHI UCPX06 bearing units

Bearing No. UCPX06

Bore Diameter	30 mm
Width	42.9 mm
d	30 mm
A	57 mm
B	42.9 mm
H	47.6 mm
H1	20 mm
H2	94 mm
J	127 mm
L	175 mm
N	17 mm
N1	25 mm
S	17.5 mm
Bolt (G)	M14
Category	Bearings
Inventory	0.0
Manufacturer Name	NACHI
Minimum Buy Quantity	N/A
Weight / Kilogram	0
Product Group	M06110