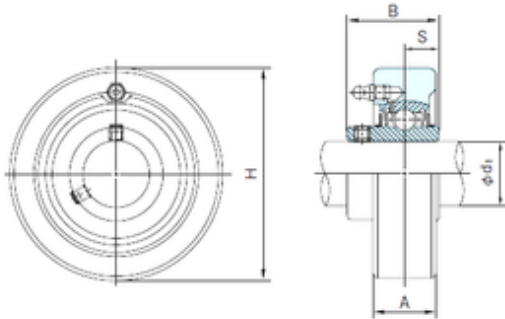




LEDONG Machinery Co., Ltd.

NACHI UCC309 bearing units



Bearing No. UCC309

Bore Diameter	45 mm
Width	57 mm
d	45 mm
A	38 mm
B	57 mm
H	130 mm
S	22 mm

UCC309 Bearing 2D drawings and 3D CAD models