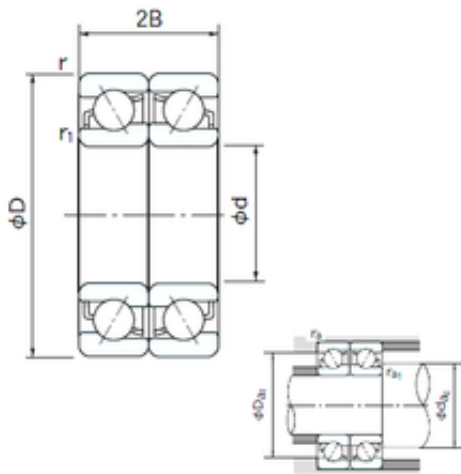




LEDONG Machinery Co., Ltd.



45 mm x 75 mm x 16 mm NACHI 7009DF angular contact ball bearings

Bearing No. 7009DF

7009DF Bearing 2D drawings and 3D CAD models

Size	45x75x16 mm
Bore Diameter	45 mm
Outer Diameter	75 mm
Width	16 mm
d	45 mm
D	75 mm
B	16 mm
C	16 mm
Angle (°)	30 °
a	9.3 mm
r min.	1 mm
r1 min.	0.6 mm
2B	32 mm
da min.	50 mm
Da max.	72 mm
ra max.	0.6 mm
Weight	0.265 Kg
Basic dynamic load rating (C)	36 kN
Basic static load rating (C0)	35 kN
(Grease) Lubrication Speed	6000 r/min
Bore Type	Cylindrical Bore
Enclosure	Open
Configuration	Duplex
Bore Size	45 mm
Outside Diameter	75 mm



LEDONG Machinery Co., Ltd.

Width	16 mm
Fillet Radius/Chamfer	1 mm
r1	0.6 mm
Dynamic Load Rating	36,000 N
Static Load Rating	35,000 N
Limiting Speed - Grease	6,000 rpm
Limiting Speed - Oil	8,000 rpm
da1 (min)	50 mm
da2 (min)	50 mm
Da1 (max)	70 mm
Da2 (max)	72 mm
ra (max)	1 mm
ra1 (max)	0.6 mm