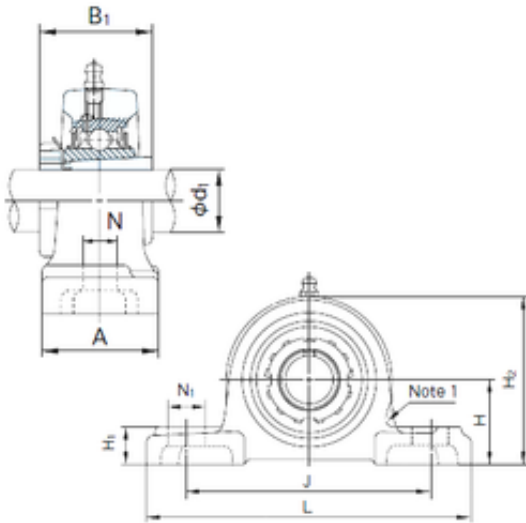




LEDONG Machinery Co., Ltd.

NACHI UKP319+H2319 bearing units

Bearing No. UKP319+H2319



UKP319+H2319 Bearing 2D drawings and 3D CAD models

Bore Diameter	85 mm
Width	125 mm
d	85 mm
A	120 mm
B1	90 mm
H	125 mm
H1	50 mm
H2	250 mm
J	360 mm
L	470 mm
N	36 mm
N1	50 mm
Bolt (G)	M30