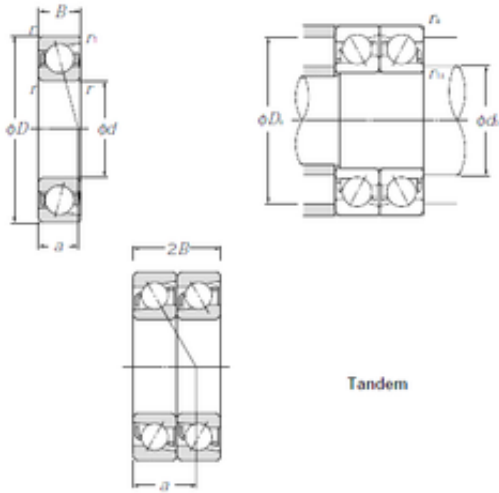




LEDONG Machinery Co., Ltd.



120 mm x 260 mm x 55 mm NTN 7324DT
angular contact ball bearings

Bearing No. 7324DT

Size	120x260x55 mm
Bore Diameter	120 mm
Outer Diameter	260 mm
Width	55 mm
d	120 mm
D	260 mm
B	55 mm
ra1 max.	1 mm
Angle (°)	25 °
a	82,5 mm
r min.	3 mm
r1 min.	1,1 mm
2B	110 mm
da min.	134 mm
Da max.	246 mm
ra max.	2,5 mm
Db max	253 mm
Weight	29,4 Kg
Basic dynamic load rating (C)	400 kN
Basic static load rating (C0)	505 kN
(Grease) Lubrication Speed	2 300 r/min

7324DT Bearing 2D drawings and 3D CAD models