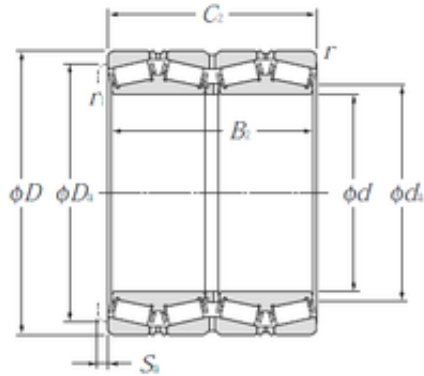




LEDONG Machinery Co., Ltd.

660,4 mm x 812,8 mm x 365,125 mm NTN E-L281149D/L281110/L281110DG2 tapered roller bearings



Bearing No. E-L281149D/L281110/L281110DG2

Size	660.4x812.8x365.125 mm
Bore Diameter	660,4 mm
Outer Diameter	812,8 mm
Width	365,125 mm
d	660,4 mm
D	812,8 mm
B	365,125 mm
C	365,125 mm
r min.	6,4 mm
r1 min.	3,3 mm
Da	777 mm
da	682,8 mm
Sa	9 mm
Weight	448 Kg
Basic dynamic load rating (C)	6 200 kN

E-L281149D/L281110/L281110DG2 Bearing 2D drawings and 3D CAD models