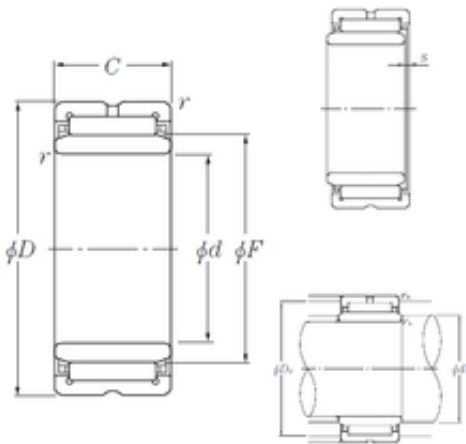




LEDONG Machinery Co., Ltd.



35 mm x 50 mm x 30 mm NTN NK40/30R+IR35 x 40 x 30 needle roller bearings

Bearing No. NK40/30R+IR35 x 40 x 30

| | |
|-------------------------------|-------------|
| Size | 35x50x30 mm |
| Bore Diameter | 35 mm |
| Outer Diameter | 50 mm |
| Width | 30 mm |
| d | 35 mm |
| F | 40 mm |
| D | 50 mm |
| B | 30 mm |
| C | 30 mm |
| r min. | 0,3 mm |
| s | 1 mm |
| da min. | 37 mm |
| Da max. | 48 mm |
| ra max. | 0,3 mm |
| Weight | 0,193 Kg |
| Basic dynamic load rating (C) | 38,5 kN |
| Basic static load rating (C0) | 76 kN |
| (Grease) Lubrication Speed | 6 500 r/min |

NK40/30R+IR35 x 40 x 30 Bearing 2D drawings and 3D CAD models